



• LXC31X0

• Product overview

LXC31X0 Series automation controller uses 32-bit ARM processor, the module is realized intelligent generator control technology. There are used for genset automation and monitor control system of single unit to achieve automatic start/stop, data measurement, alarm protection. It fits with LCD display, optional languages interface (Chinese, English, Spanish and Russian), and it is reliable and easy to use. It achieves a precision measuring, fixed value adjustment, time setting and set value adjusting and etc. All parameters can be configured from front panel or through programmable USB interface via PC. It can be widely used in all types of automatic genset control system with compact structure, advanced circuits, simple connections and high reliability.

• Performance and characteristics

LXC3110: ASM (Automatic Start Module), it controls generator to start/stop by remote signal;

LXC3120: AMF (Auto Mains Failure), updates based on LXC3120, moreover, has mains electric quantity monitoring and mains/generator automatic transfer control function, especially for automatic system composed by generator and mains.

Its main features are as follows:

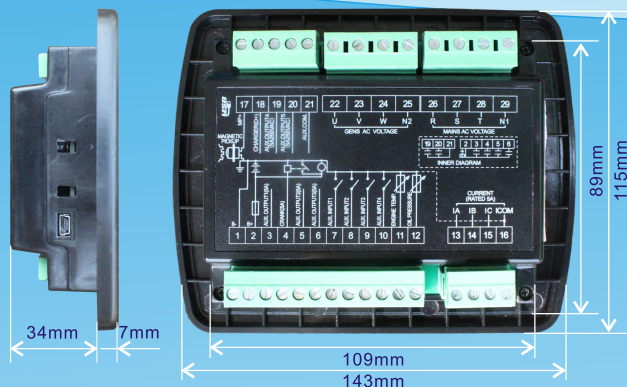
- Display: 132×64 LCD with emerald green backlight;
- Language: Chinese, English, Spanish and Russian;
- Operating: good feeling button pushing, long button life;
- Suitable for: 3-phase 4-wire, 3-phase 3-wire, single phase 2-wire, and 2-phase 3-wire systems with voltage 120/240V and frequency 50/60Hz.

• Technical Parameters

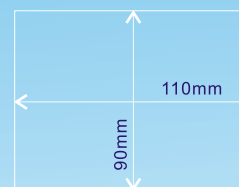
Project	Content
Working Voltage	Dc8. 0V to 35. 0V, Continuous Power Supply.
Overall Consumption	<3W(Standby mode: ≤ 2W)
AC voltage Input:	
3 Phase 4 Wire	15V AC - 360 V AC (ph-N)
2 Phase 3 Wire	15V AC - 360 V AC (ph-N)
Single phase 2 Wire	15V AC - 360 V AC (ph-N)
3 Phase 3 Wire	30V AC - 620 V AC (ph-ph)
Alternator Frequency	50 Hz /60Hz
Speed Sensor Voltage	1.0V to 24V (effective value)
Speed Sensor Frequency	10,000 Hz (max)
Start Relay output	5A DC28V power supply
Programmable Relay output 1	5A DC28V power supply
Programmable Relay output 2	5A DC28V power supply
Programmable Relay output 3	5A DC28V power supply
Programmable Relay output 4	5A AC250V voltage-free output
Programmable Relay output 5	5A AC250V voltage-free output
Overall Dimensions	143mm x 115mm x41mm
Panel Cutout	110mm x 90mm
CT Secondary Current	5A (rated)
Working Conditions	Temperature: (-25~70)°C; Humidity: (20~93)%RH
Storage Condition	Temperature: (-25~70)°C
Protection Level	IP55:When waterproof rubber seal installed between the controller and panel fascia. IP42:When waterproof rubber seal is not installed between the controller and panel fascia.
Insulating Intensity	Object: input/output/power Quote standard: IEC688-1992 Test way: AC1.5kV/1min leakage current:3mA
Weight	330kg

• Dimensions:

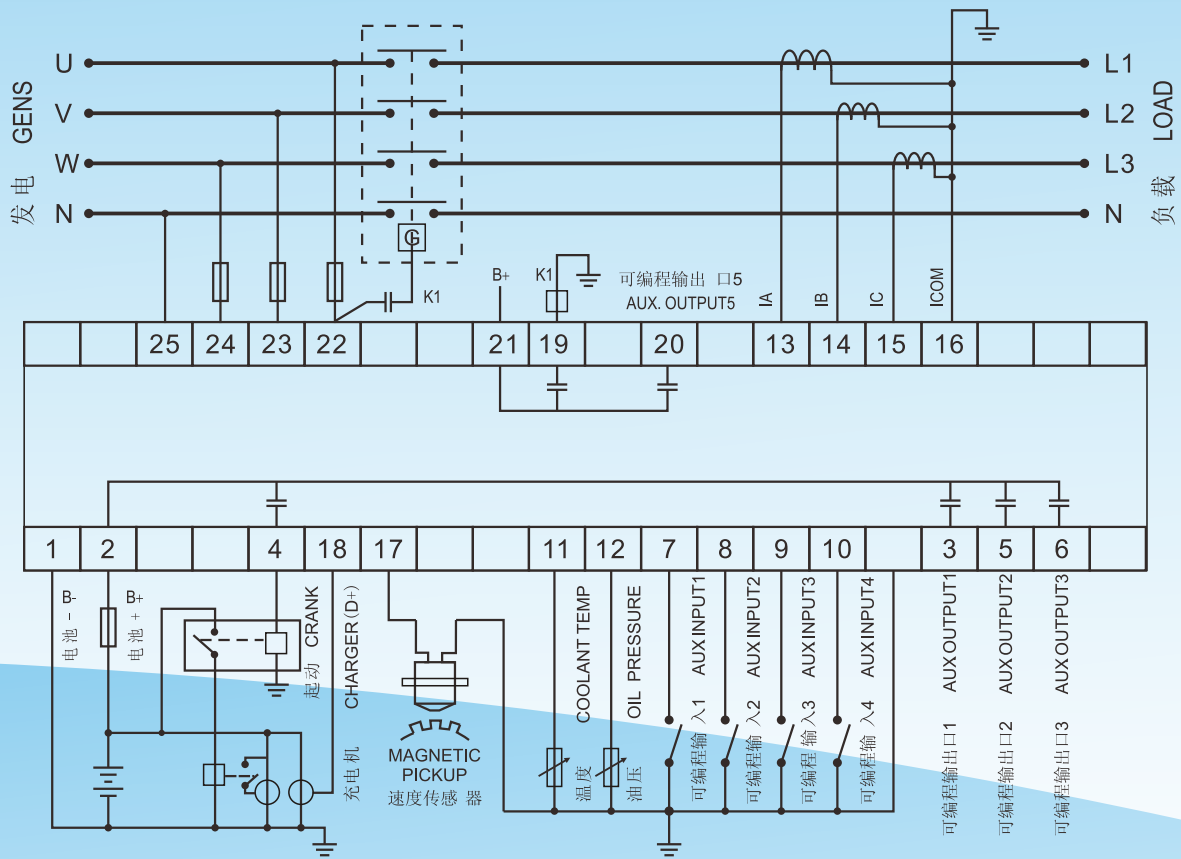
Operation Panel	W143mmxH115mm
Installation open orifice	W184mmxH139mm
Thickness	41mm



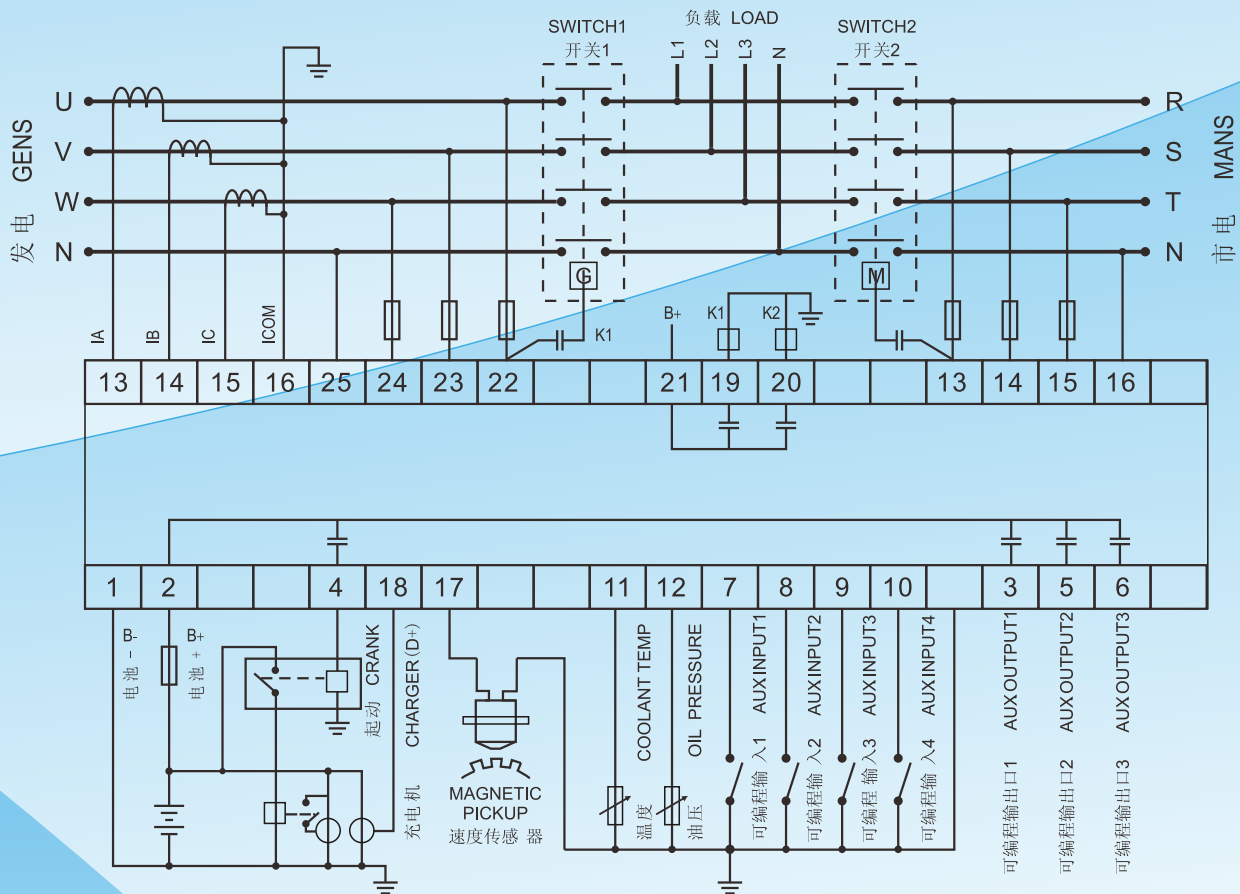
• Panel cutout dimensions



· LXC3110 Typical application diagram ·



· LXC3120 Typical application diagram ·



• LXC31X0 Generator remote monitoring program •

